

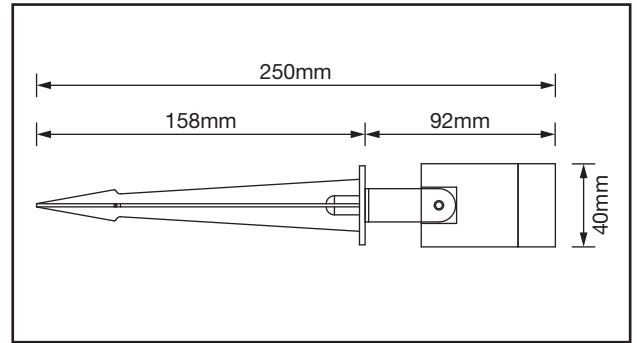
ASPK3CC

3W 350mA IP65 RA90 Anti-Glare
Carbon Black Spike Luminaire



PRODUCT FEATURES

- Glare Reducing Honeycomb & Lens
- 3W Cree COB LED
- Pre-Flexed To 2.5M Of Cable
- Detachable Spike For Surface Mounting
- Carbon Black Powder Coat Finish
- Colour Rendering Index 90+
- Cast Aluminium Construction & Polymer Spike
- Dims With Triac Dimmable LED Driver
- 350mA Constant Current (Series Wiring)



TECHNICAL SPECIFICATIONS

Product Code	ASPK3CC/30
Luminous Flux (LM)	≤175lm
Useful Luminous Flux (LM)	≤175lm
CCT (Kelvin)	3000K
Beam Angle (°)	25°
SDCM	<6
CRI	>90
Peak Intensity (cd)	746cd
Max Output Power (W)	3.15W
Operating Current (A max)	350mA
Class	III
Body Material	Aluminium
Frame Colour	Carbon Black
Ingress Protection	IP65
Ambient Operating Temperature (°C)	-20°C ~ +45°C
Cable Length	2.5m
Life Time (L70 B50)	20,000 Hrs
Lumen Maintenance Factor	0.95
Guarantee	3 Years

